

Technical Information

No. FO 4536

Edition: 08/05 - subject to change

Substitutes: 05/02

Status: valid

Xenon Short Arc Lamp

XBO[®] 550 W/HTC OFR

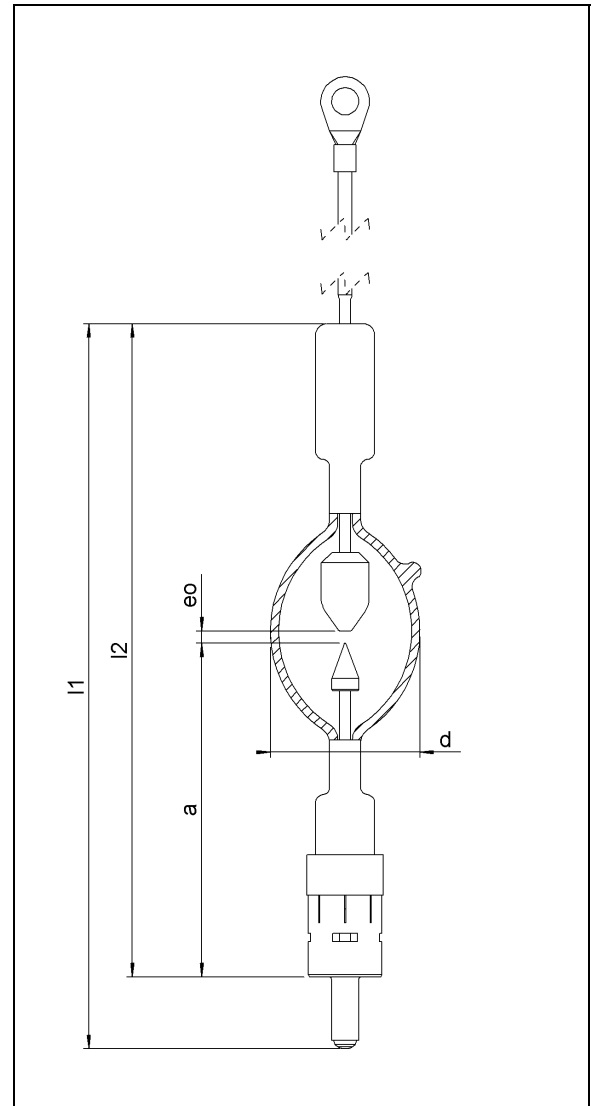
■ Product description

The OSRAM XBO[®] 550 W/HTC OFR is a DC operated lamp that is especially suited for applications requiring highest luminance and excellent arc stability. The OSRAM XBO[®] 550 W/HTC OFR is designed for horizontal burning position (H = horizontal, T = treated pin , C = cable) .

■ Technical data

Order reference	XBO [®] 550 W/HTC OFR	
Rated lamp wattage	W	550
Rated lamp voltage	V	22
Rated lamp current (=)	A	25
Current control range	A	17 - 27
Ignition voltage	kV _p	30
Min. open circuit voltage for cold / hot ignition	V	60 / 80
Luminous flux	lm	16,000
Luminous intensity	cd	1,600
Average luminance	cd/cm ²	34,000
Luminous area w x h *)	mm	0.9 x 3.1
Electrode gap e (cold)	mm	3.5
Lamp length (overall) l ₁	mm	max. 143
Lamp length l ₂	mm	max. 129
LCL a	mm	65
Bulb diameter d	mm	max. 25
Average service life	h	600
Base	Cathode	SFc 15-6
	Anode	cable max. 103 mm

*) w = luminance half width value; h = electrode gap of running lamp (hot)



■ Lamp operation

Maximum permissible base temperature	230°C / 350°C at anode pin
Cooling requirements	forced cooling / fan
Min. air flow velocity around discharge vessel	7 m/s
Operating position	s15 (vertical ± 15° ; anode up) ; p 15 (horizontal ± 15°)